

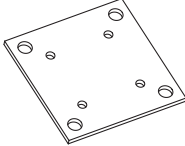

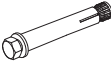



FENCE

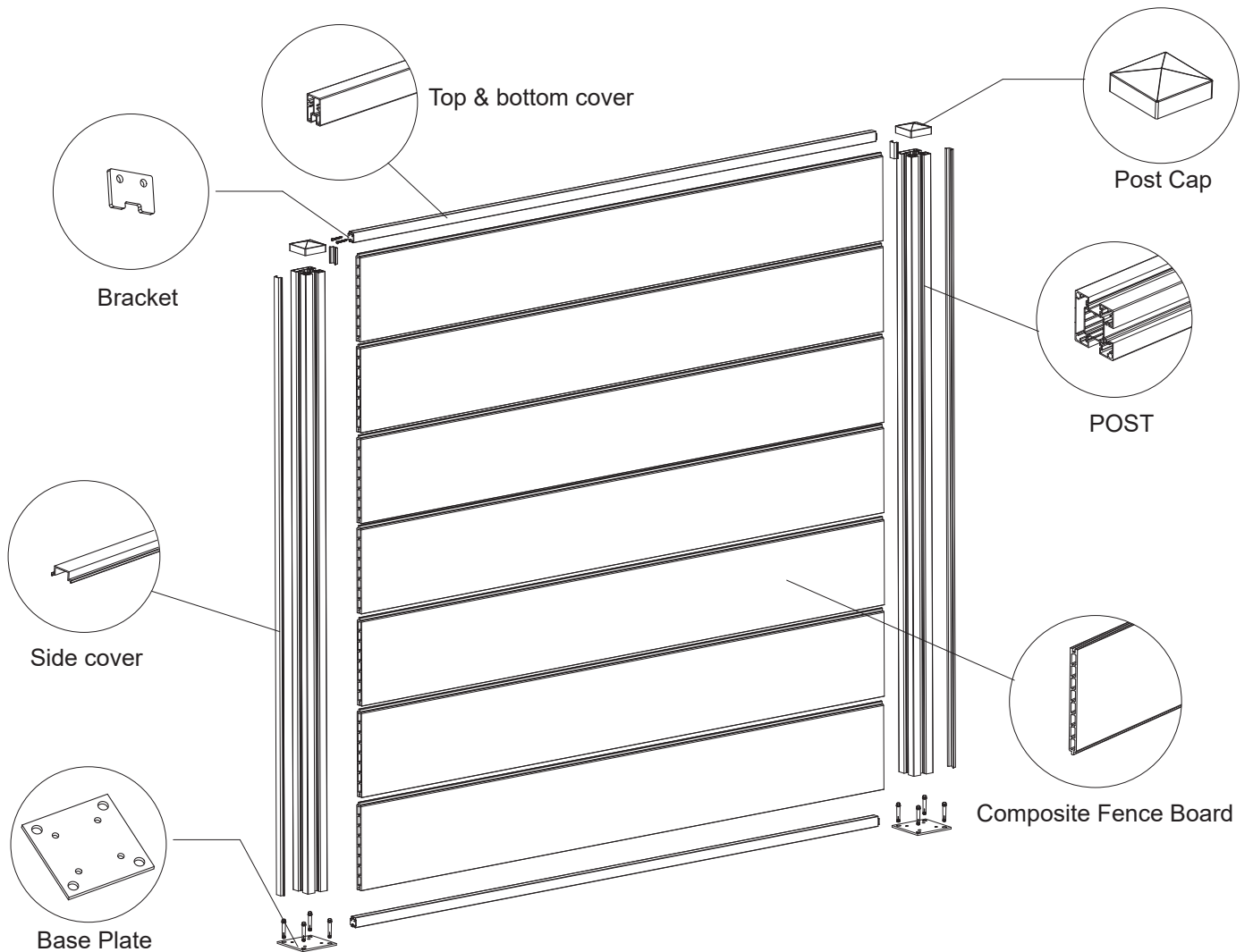
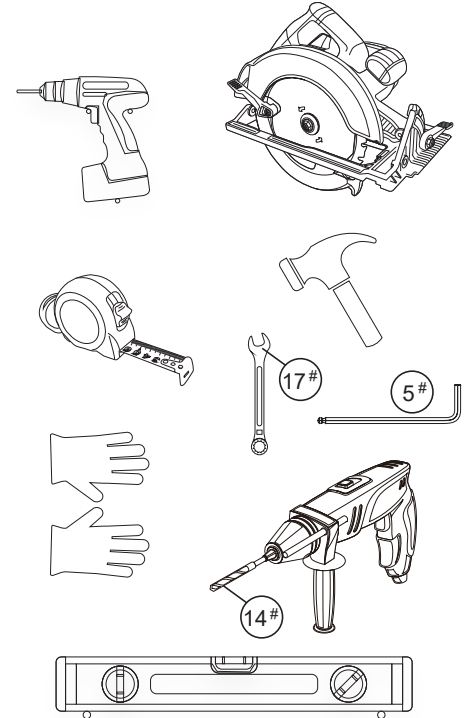
EURO STYLE FENCING

Itemized Materials list

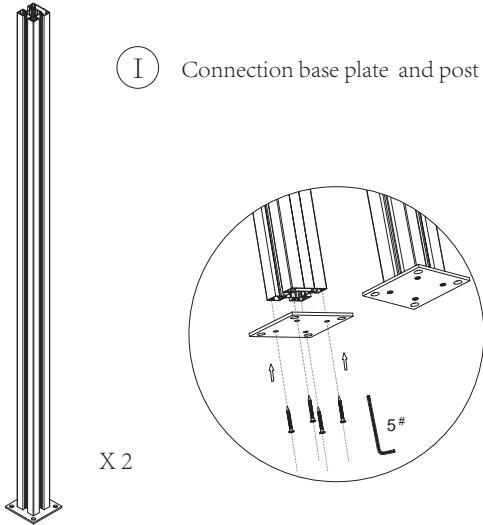
GRINWOOD®

Tools

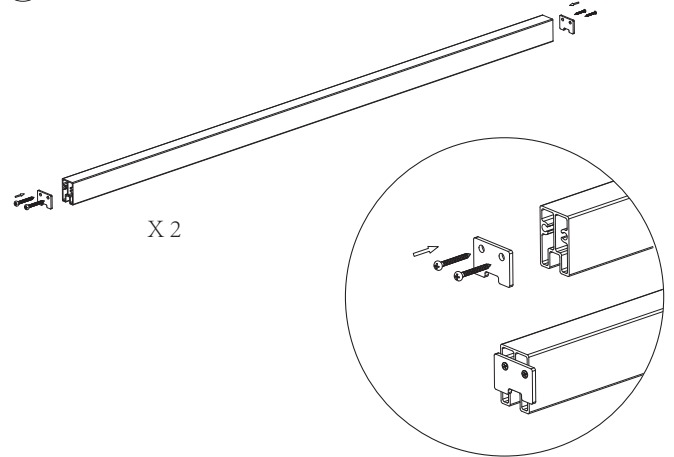
No.	Item Image	Name	Number
a		Base Plate	X2
b		Hexagon Screw	X8
c		Base Plate Screw	X8
d		Bracket	X8
e		Screw For Bracket	X16
f		Post Cap	X2



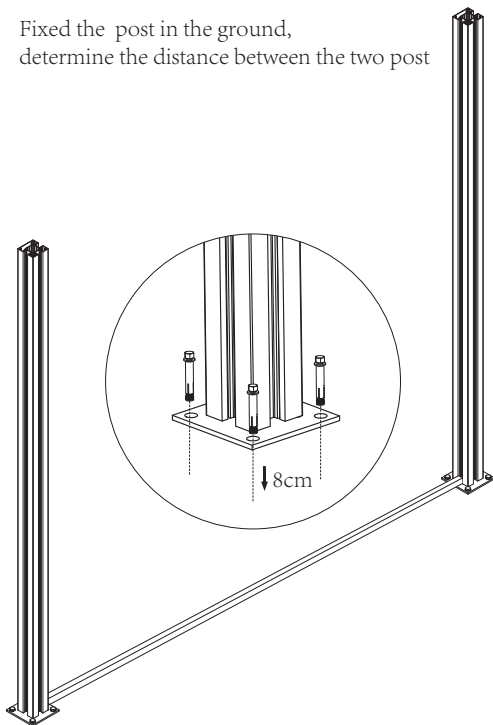
Ⅰ Connection base plate and post



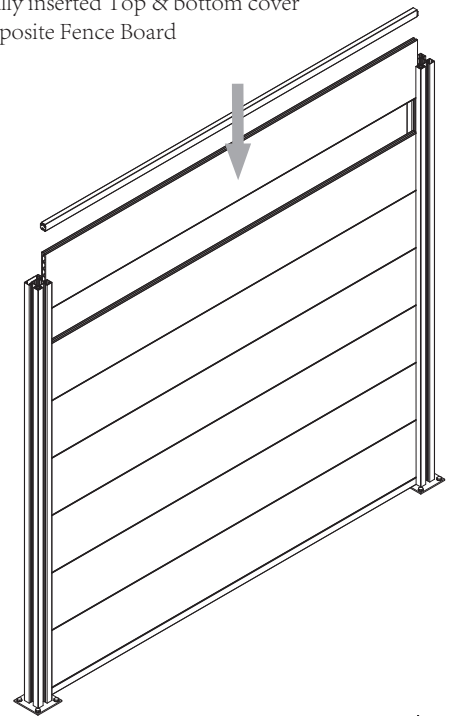
Ⅱ Connection bracket and Top & bottom cover



Ⅲ Fixed the post in the ground, determine the distance between the two post

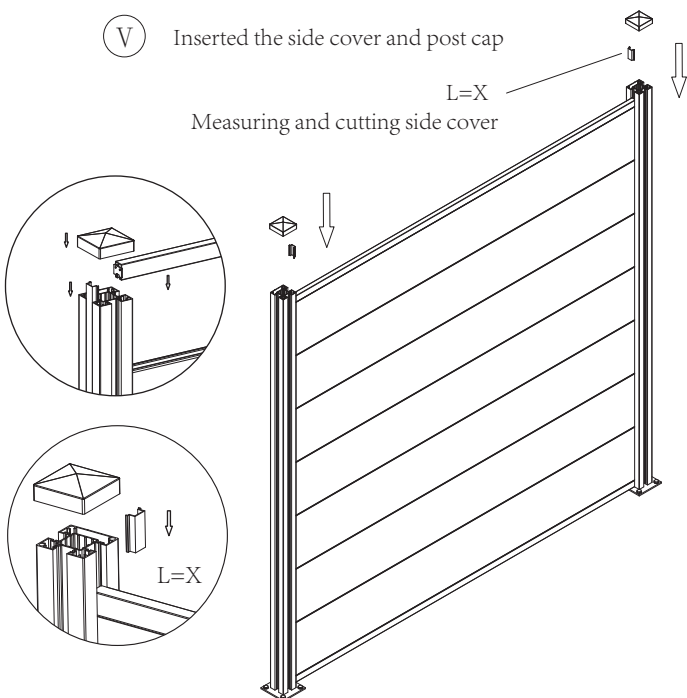


Ⅳ Sequentially inserted Top & bottom cover and Composite Fence Board



Ⅴ Inserted the side cover and post cap

$L=X$
Measuring and cutting side cover



Ⅵ Install the end

